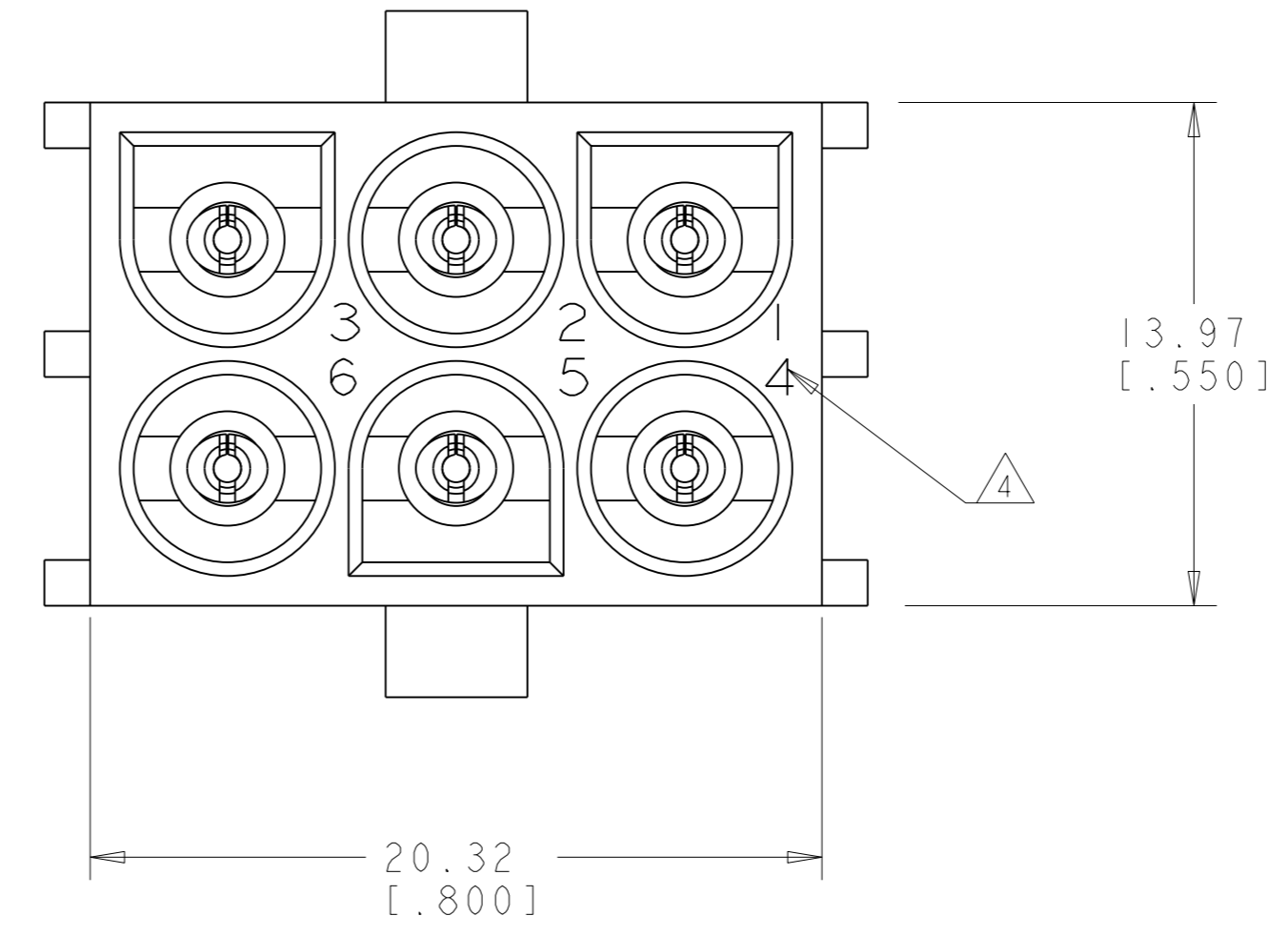
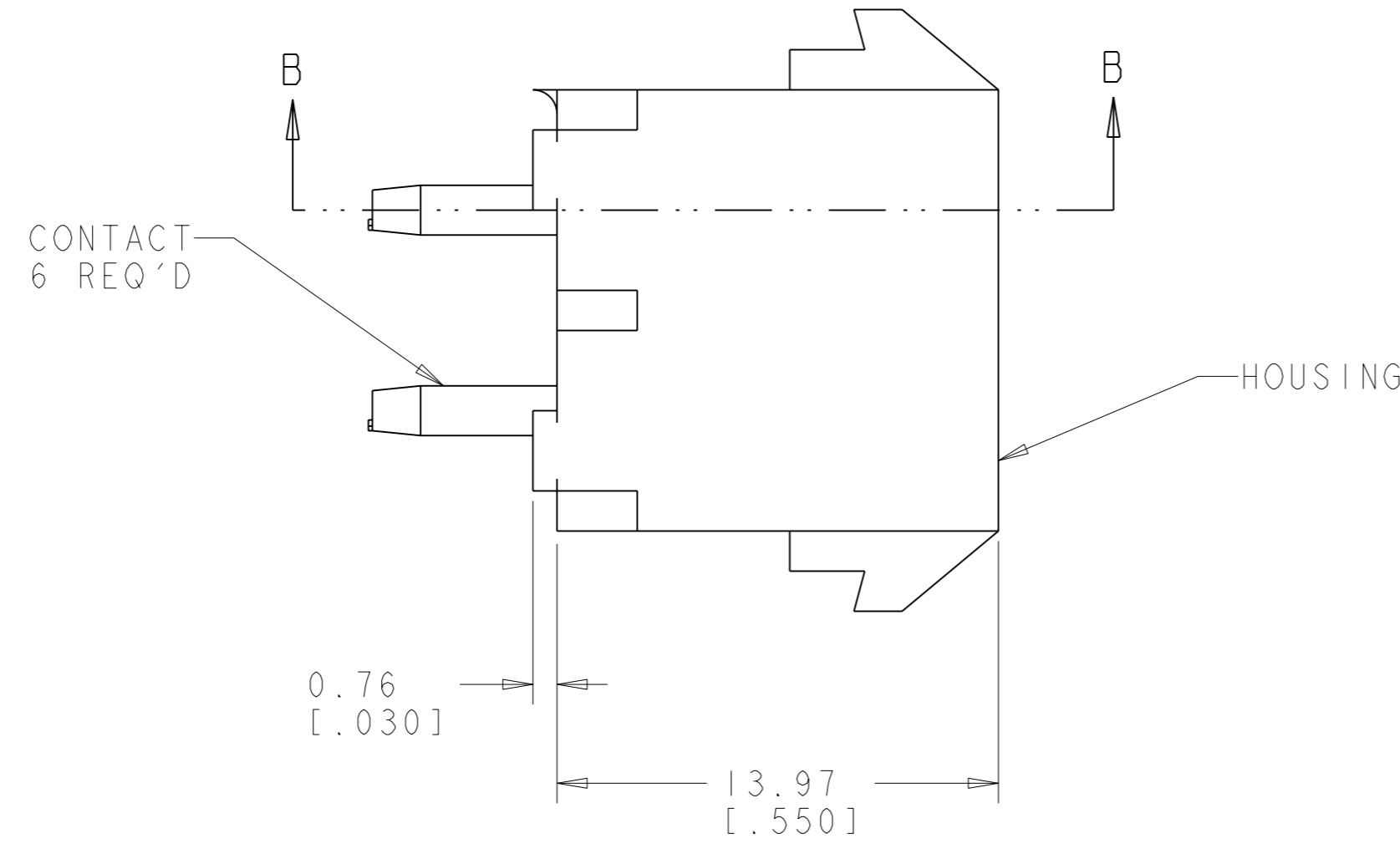
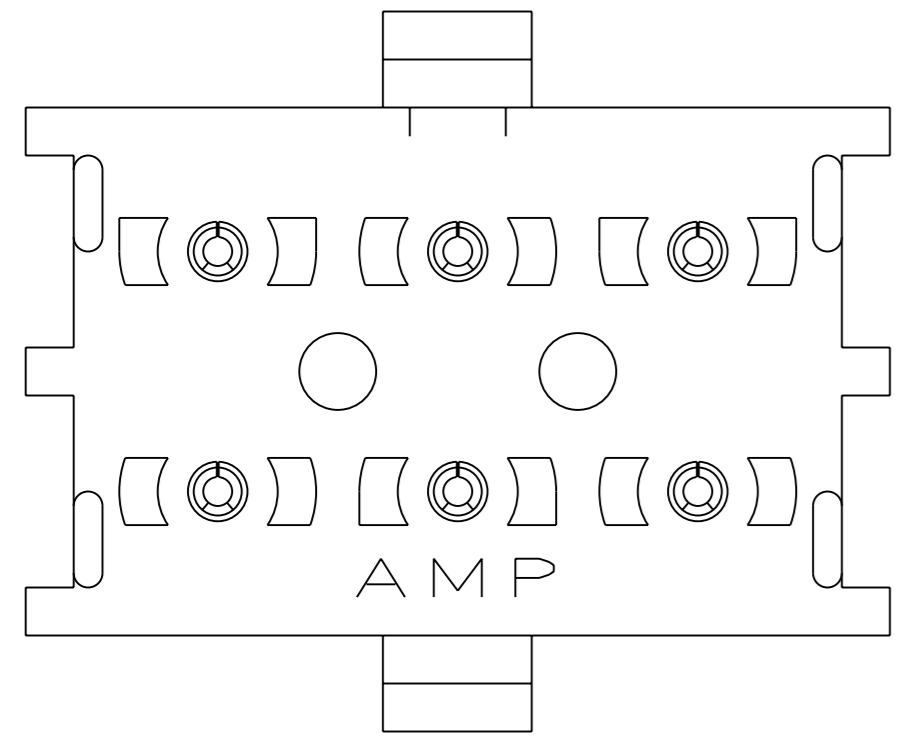
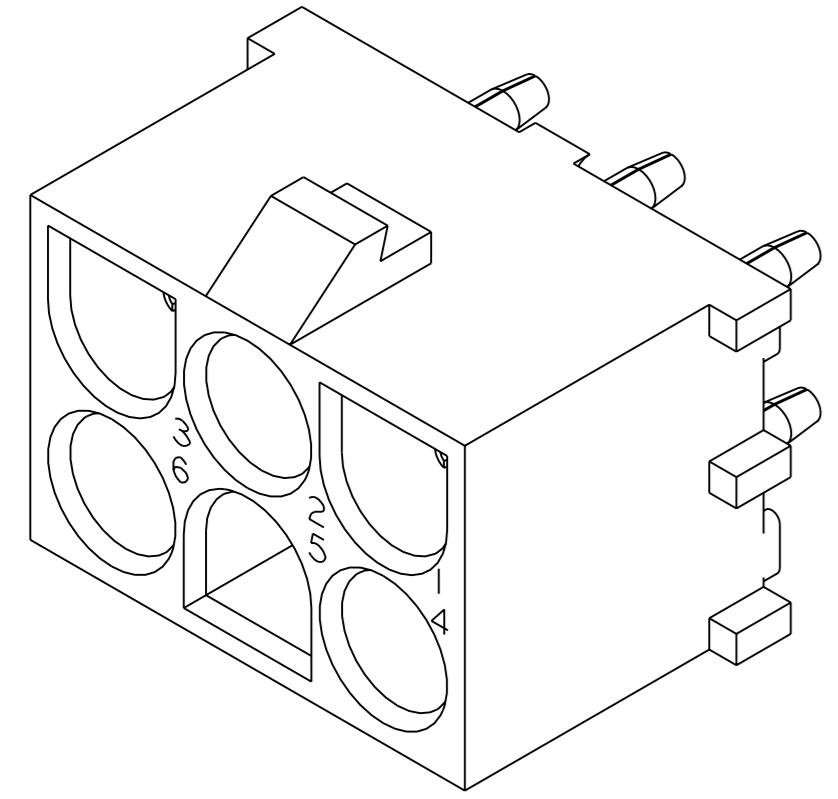
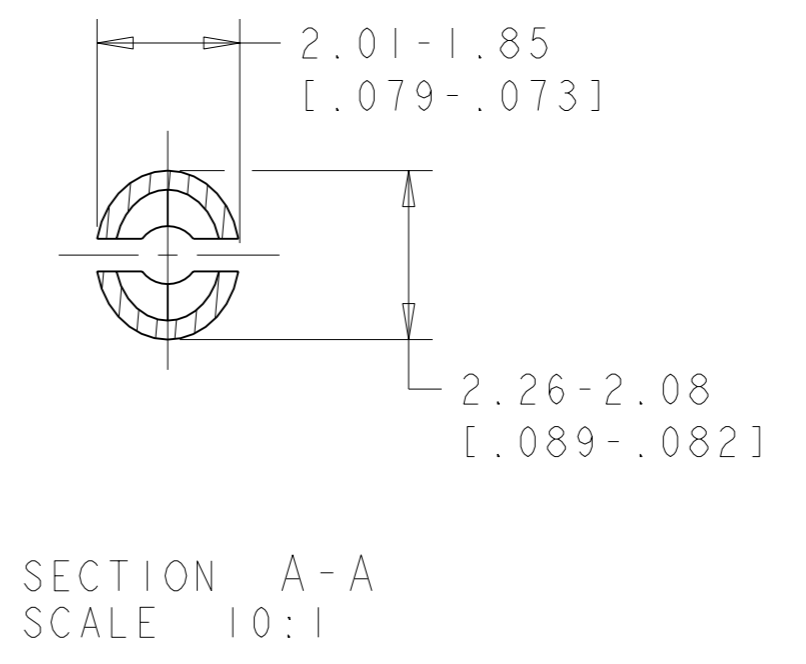
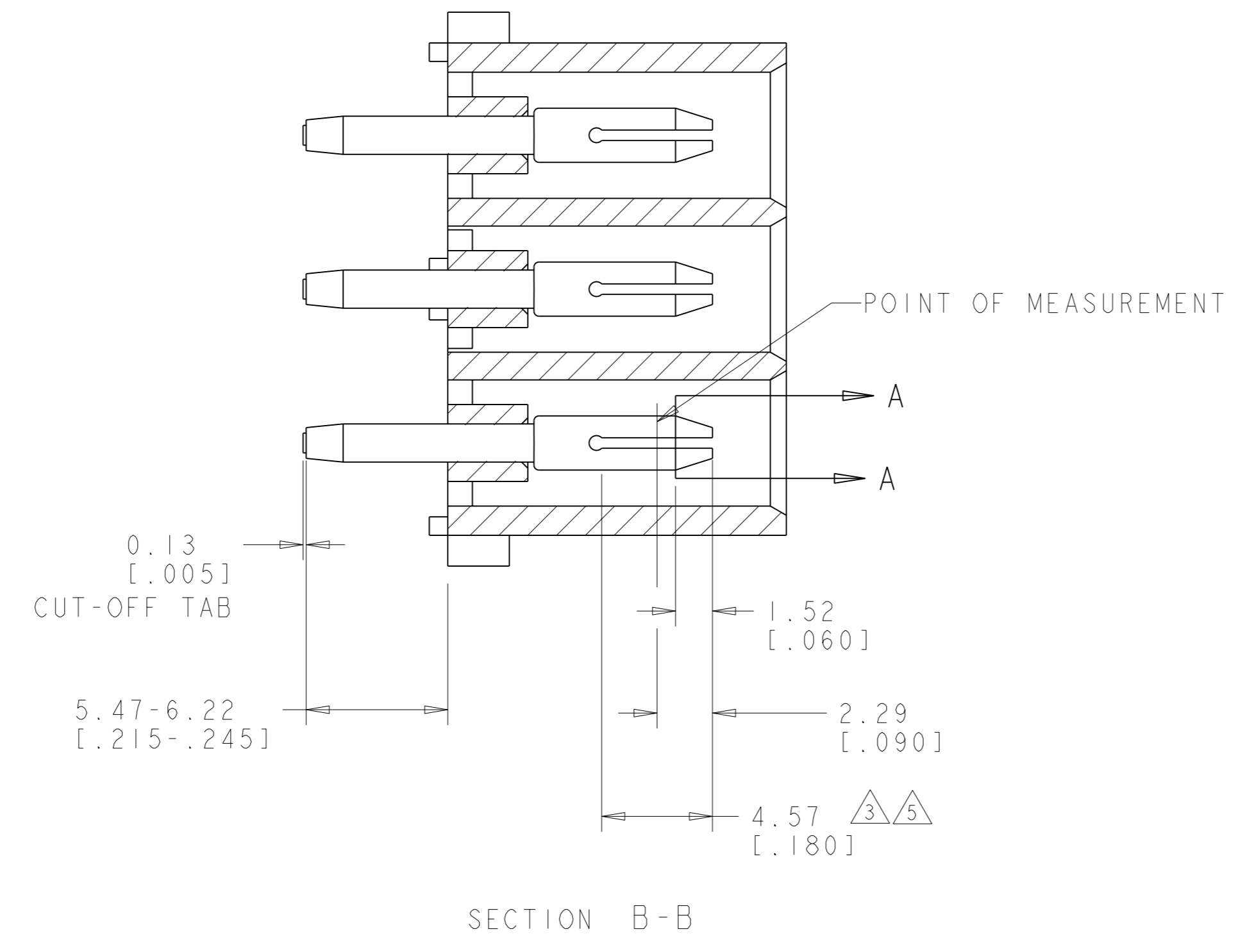


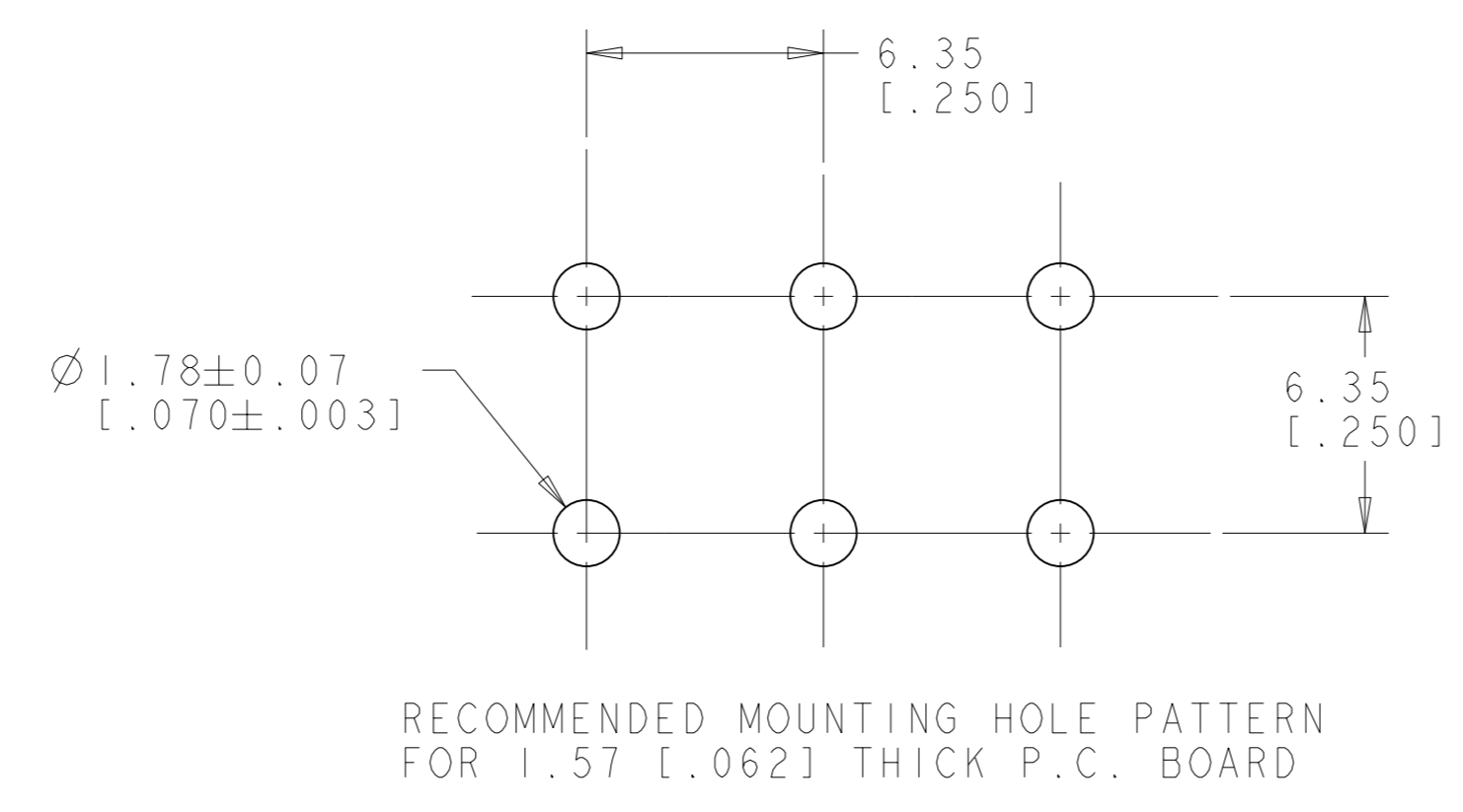
LOC		DIST		REVISIONS			
F	LYR	DESCRIPTION	DATE	DWN	APVD		
R		REVISED PER 0G3B-1100-04	02SEP05	KW	SR		



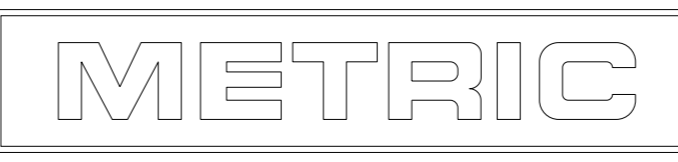
1. PARTS MATE WITH HOUSING 480704.
2. PARTS COMPLY TO AMP SOLDERABILITY SPECIFICATION 109-11-3.
3. CONTACT IS PLATED OVERALL WITH 0.00127 [.000050] NICKEL, THEN 0.00076 [.000030] GOLD OVER CONTACT LENGTH INDICATED AND TIN LEAD ON SOLDER TAIL END.
4. CIRCUIT IDENTIFICATION CHARACTERS ARE ADJACENT TO THE INDICATED CAVITIES, BUT LOCATION AND ORIENTATION MAY DIFFER FROM PRINT.
5. CONTACT IS PLATED OVERALL WITH 0.00127 [.000050] NICKEL, THEN 0.00076 [.000030] GOLD OVER CONTACT LENGTH INDICATED AND MATTE TIN ON SOLDER TAIL END.
6. DIMENSIONS IN BRACKETS ARE IN INCHES.



3 DIMENSIONAL MODEL  
SCALE 4:1



PIN CONTACT MATERIAL AND FINISH	HOUSING MATERIAL AND COLOR	PART NUMBER
PHOSPOR BRONZE, GOLD $\Delta$	NYLON, UL94V-2, NATURAL	350585-4
PHOSPOR BRONZE, GOLD $\Delta$	NYLON, UL94V-2, NATURAL	350585-2
PHOSPOR BRONZE, PRE-TIN	NYLON, UL94V-2, NATURAL	350585-1



DIMENSIONS: mm [INCHES]		TOLERANCES UNLESS OTHERWISE SPECIFIED: 0 PLC ± 1 PLC ± 2 PLC ±0.13(.005) 3 PLC ± 4 PLC ± ANGLES ±40°30'		DWN: K. WHITAKER 02SEP2005 CHK: S. RIDGILL 02SEP2005 APVD: S. RIDGILL 02SEP2005		Tyco Electronics Harrisburg, PA 17105-3608	
MATERIAL: SEE TABLE		FINISH: SEE TABLE		NAME: PIN HEADER ASSEMBLY, 6 CIRCUIT, UNIVERSAL MATE-N-LOK(TM)		SIZE: A   CAGE CODE: 00779   DRAWING NO: 350585	
CUSTOMER DRAWING				SCALE: 5:1		SHEET 1 OF 1 REV R	